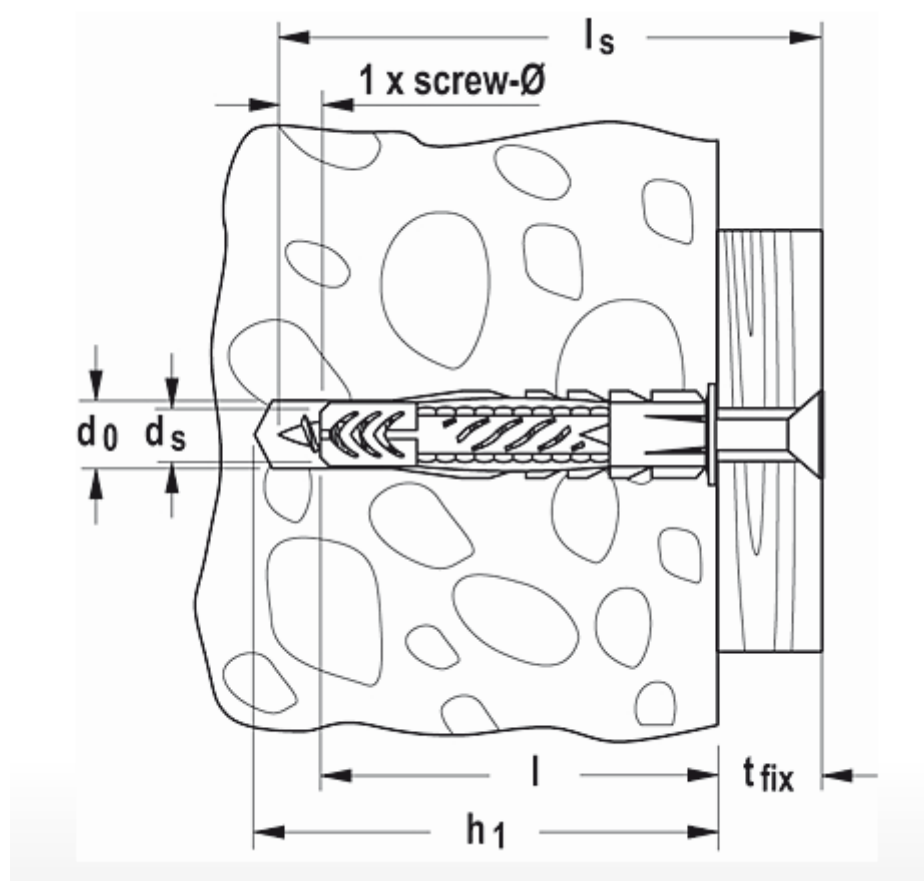


# Дюбел многоцелеви с Г-образна кука, UX ф 10 x 60 мм, WN K NV, блистер



Drill hole diameter	$d_0$	10	[mm]
Anchor length	$l$	60	[mm]
Plug length = min. anchorage depth	$l = h_{ef}$	60	[mm]
Min. drill hole depth	$h_1$	75	[mm]
Max. fixture thickness	$t_{fix}$	12	[mm]
Min. panel thickness	$d_p$	12,5	[mm]
Card contents		2 x UX 10 x 60 with collar, 2 x angle hook 7 x 77	
Sales unit		10	[pcs]
GTIN (EAN Code)		4006209946268	